

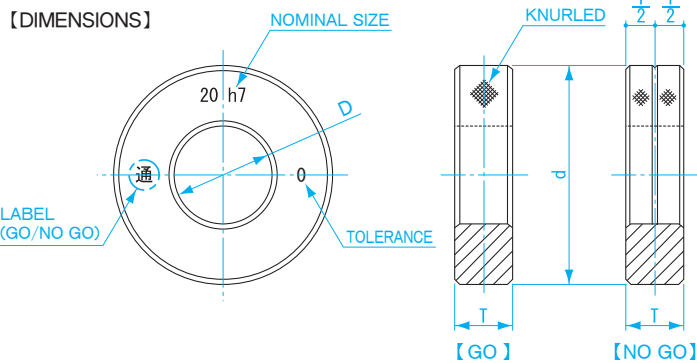
# STEEL RING LIMIT GAUGE h7

## For shaft diameter inspection

Pair of gauges with maximum and minimum limit size to test the compatibility of hole width

**MATERIAL** Alloy tool steel

**SPECIFICATIONS** Hardness: HV653-772



### Size List

Model No.	Nominal size D (mm)	Outside Diameter d (mm)	Thickness T (mm)	Tolerance Class	Tolerance ( $\mu\text{m}$ )
LR10-h7	$\phi 10$	32	8	h7	$0$ $-15$
LR11-h7	$\phi 11$				
LR12-h7	$\phi 12$				
LR13-h7	$\phi 13$	38	10		$0$ $-18$
LR14-h7	$\phi 14$				
LR15-h7	$\phi 15$				
LR16-h7	$\phi 16$	45	12		$0$ $-21$
LR17-h7	$\phi 17$				
LR18-h7	$\phi 18$				
LR19-h7	$\phi 19$				
LR20-h7	$\phi 20$				
LR21-h7	$\phi 21$				
LR22-h7	$\phi 22$	53	14		$0$ $-21$
LR23-h7	$\phi 23$				
LR24-h7	$\phi 24$				
LR25-h7	$\phi 25$				
LR26-h7	$\phi 26$				
LR27-h7	$\phi 27$				
LR28-h7	$\phi 28$	63	16		
LR29-h7	$\phi 29$				
LR30-h7	$\phi 30$				

NEW ITEM

# STEEL RING GAUGE with MAINTENANCE LINE

## New product! Maintenance line series ring gauge now available

- Maintenance line on steel ring gauge allows easy checking for gauge wear-out.
- When line disappears, wear is more than  $1 \mu\text{m}$
- Available for sizes : 15 ~ 50mm (1mm step)

**MATERIAL** Alloy tool steel

